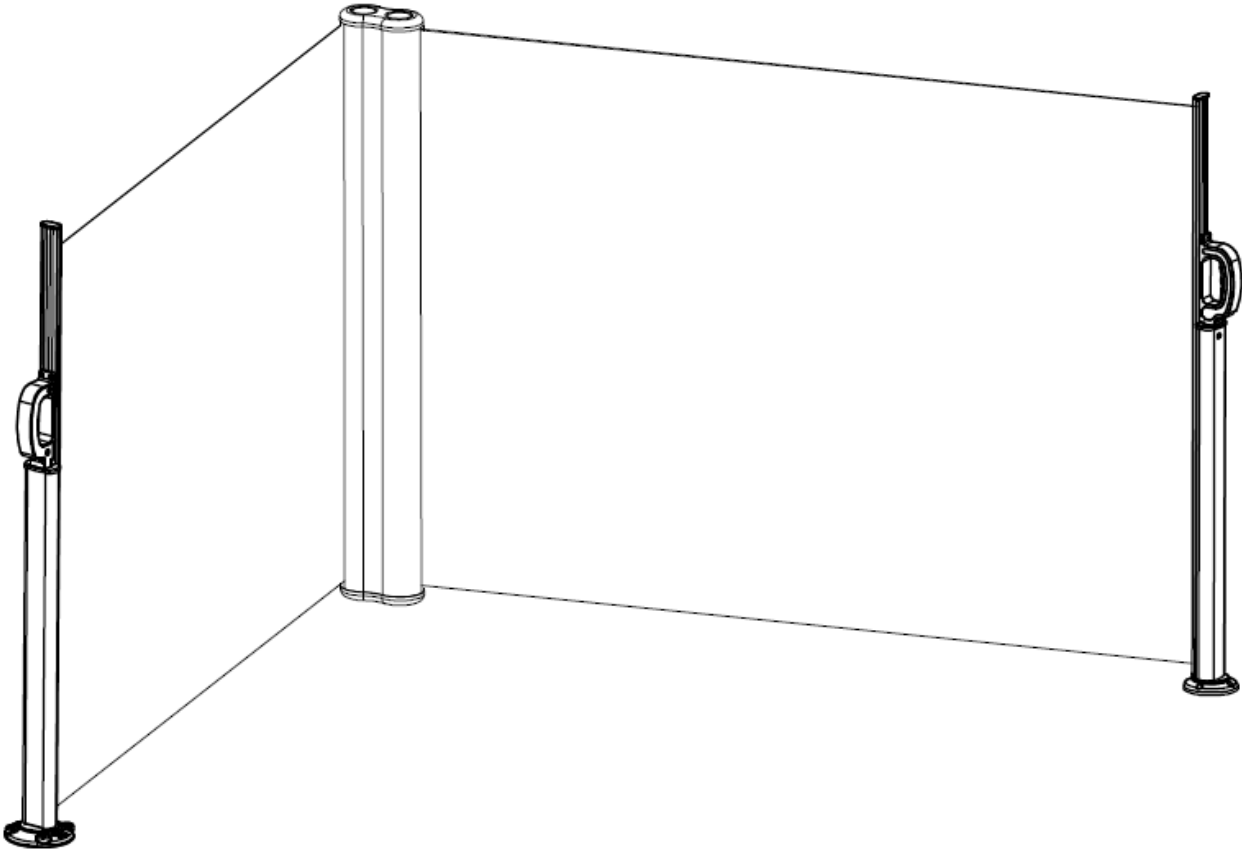


Mounting and User Instructions for Double folding screen awning



Content

Packing List.....	2-3
Product Description.....	3
Safety Instructions.....	3
Technical Data.....	4
Preparations.....	4
Mounting.....	5-9
Cleaning.....	11
Dismounting.....	11
Storage.....	11
Disposal.....	12



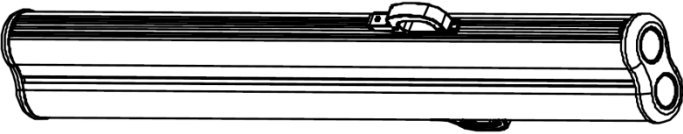


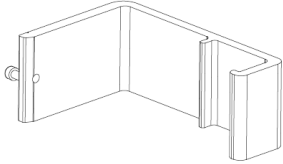
Attention:



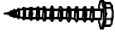
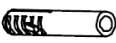
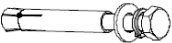
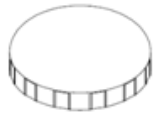
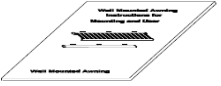
Read this instruction manual carefully and completely before mounting and usage. Keep this manual for future reference.

Dear Customer,
congratulations and thank you for buying an awning. To enjoy this product for a long time and for your own and the safety of other people please obey the mounting instructions.
Before you start mounting and using the awning, please get familiar with this product. Make sure all parts listed up in below packing lists are delivered and intact. If you find that there are parts missing or damaged please do not install the awning but contact your dealer. Do not start the mounting if parts are missing our defect.

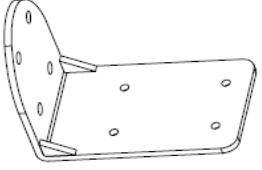
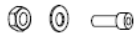
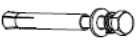
Packing List

You should find following parts in the package:

Part	Quantity
 Awning	1
 Standing pole	2
 Standing pole base	2
 Wall bracket	2

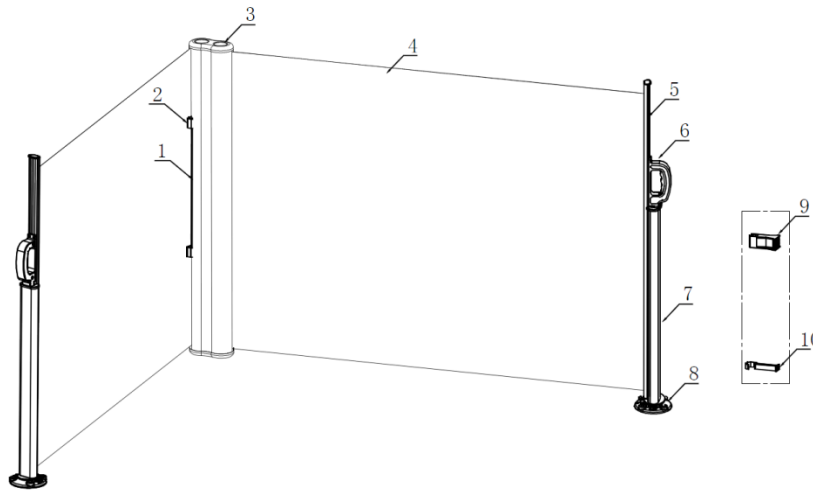
	1
Front bar top bracket for wall mount	
	1
Front bar bottom bracket for wall mount	
	8
	8
Screw	
	8
Expansion bolts	
	2
Fluorescent base	
	1
Instruction manual	

Independent parts: if the place not with wall where you will install the screen , you can choose the below part to install the screen on the floor.

	×1
	×4
	×4

Product Description

Double folding screen awning are a retractable system that gives you shade and privacy outdoors. It is retractable, but can also be easily rolled up and extended. The side awning can be added to a terrace awning or used alone.



- | | | | | | |
|---|--------------|---|--------------------|----|---|
| 1 | Cassette | 5 | Front bar | 9 | Front bar top bracket for wall mount |
| 2 | Wall bracket | 6 | Handle | 10 | Front bar bottom bracket for wall mount |
| 3 | End cap | 7 | Standing pole | | |
| 4 | Fabric | 8 | Standing pole base | | |

Important Safety Instructions

Warning: For your own and the safety of other persons it is important to follow below instructions and obey warnings.

Symbol explanation



This warning triangle calls attention to hazards that can lead to death or to severe injuries or which are important for the functioning of the awning.



This sign identifies important notes.

Safety instructions



To install this double folding screen awning technical knowledge is necessary.

Do not mount this double folding screen awning yourself but contact a professional workman for help if

- ◆ you are unsure if the awning can be mounted on the place you chose for installation.
- ◆ you do not understand the instruction manual or parts of it.
- ◆ you do not have necessary tools available.
- ◆ you do not have necessary technical knowledge



Do not install the double folding screen awning when you find damage parts are that parts are missing. Contact your dealer.



This product and its fixing parts are only suitable for installation on a plain cement wall or stable unrendered brickwork. If the wall/brickwork shows cracks you have to consult a professional.



Nobody is allowed to change the products' design and structure without the permission of manufacture or authorized deputy.



Please make sure that your hands are clean at the time of the assembly; otherwise you may soil the awning fabric and frame.

Preparations

Make sure that no children and pets are present during mounting. They could get hurt by lain out parts or tools.

Carefully remove the double folding screen awning from the box and remove the styrofoam protectors from the double folding screen awning. Remove the plastic bags and plastic guards from the double folding screen awning and carefully place the double folding screen awning aside to avoid having it damaged by scratches or otherwise damaged or soiled during assembly. Check the number of parts in the packaging whether the packing list requirements, the quality of parts availability issues, if questions, please contact the supplier.



Be aware the sudden extension may occur during unpacking.

Tools needed for assembly:

- | | |
|-------------------------------------|-----------------------|
| ✓ Drill | ✓ Allen wrench 4mm |
| ✓ Masonry drill bit, 14 mm and 10mm | ✓ Tape measure |
| ✓ Level | ✓ Chalk or marker pen |
| ✓ Wrench 10mm, 17 mm and 19 mm | ✓ Wooden hammer |

Mounting

Mounting on a concrete or brick wall

Please ask professionals for help if you are not sure

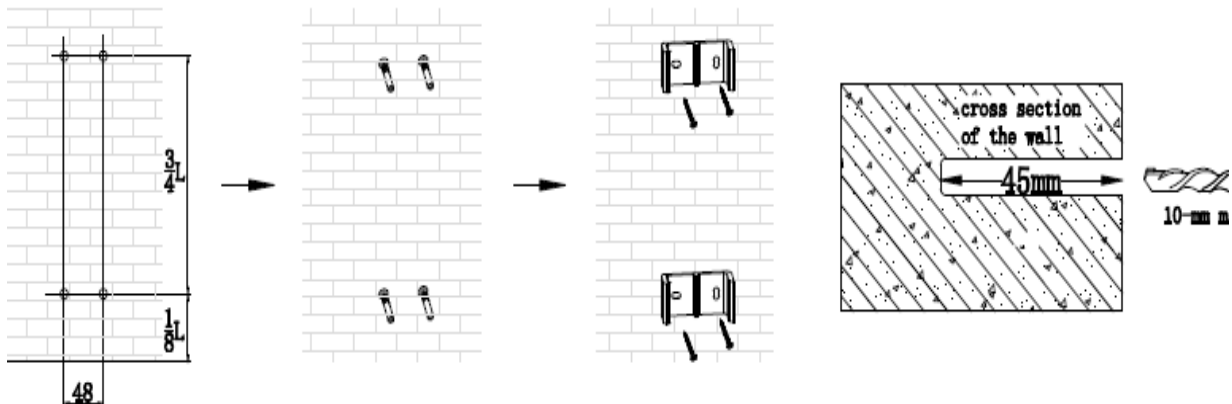
If your building has an exterior shell (such as insulation, double brick wall, brick facing), installation should be taken out by a professional.

If the wall/brickwork shows cracks you have to consult a professional.

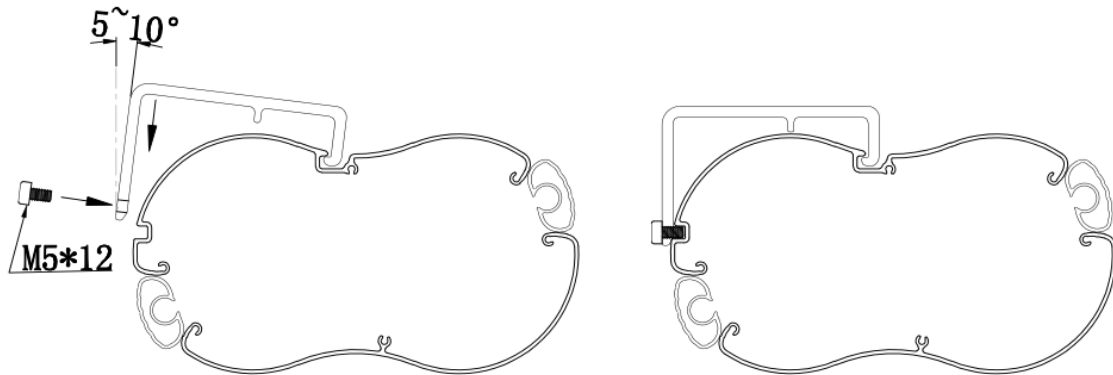
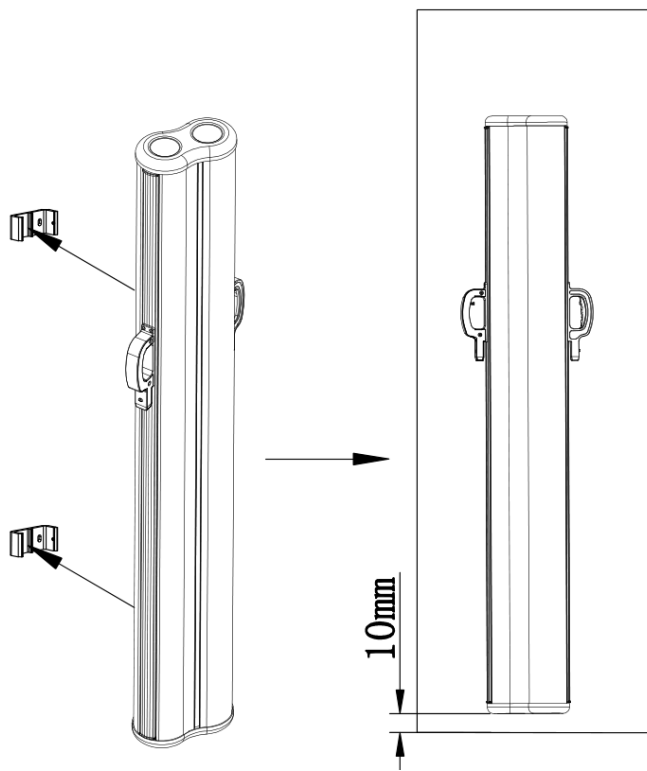


For safe and smooth installation think about where you will be securing the awning to the wall before you start drilling holes.

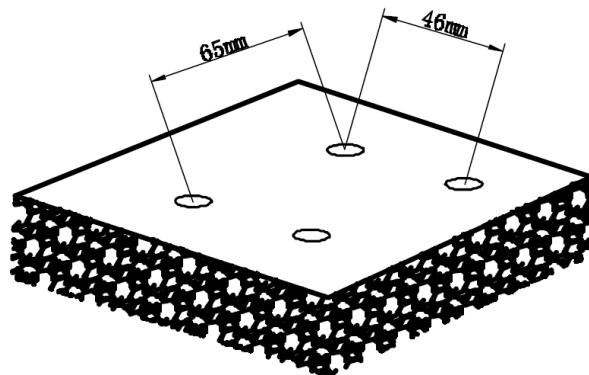
Install the brackets:



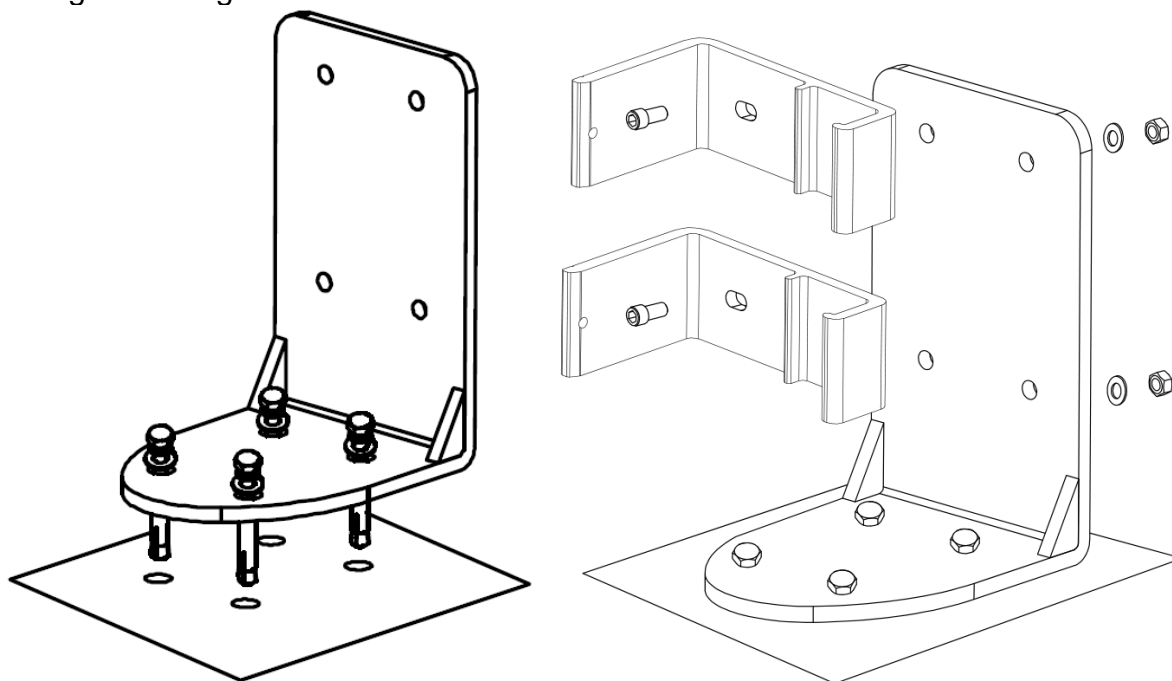
Fix the screen: (the direction of the fixed can choose one of the following direction)



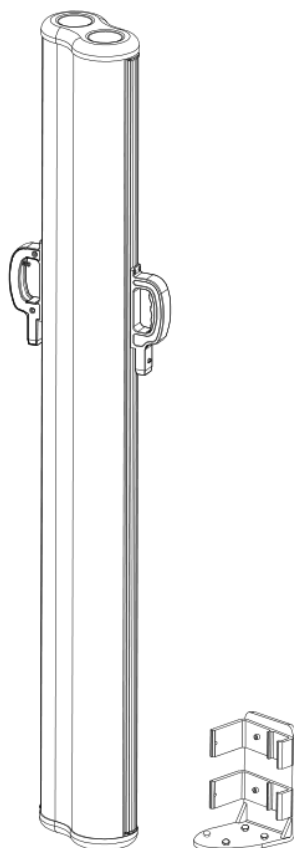
Fix the screen on the floor as following step:
 Drilling the holes which diameter is 14mm and the depth must be more than 90mm on the floor.

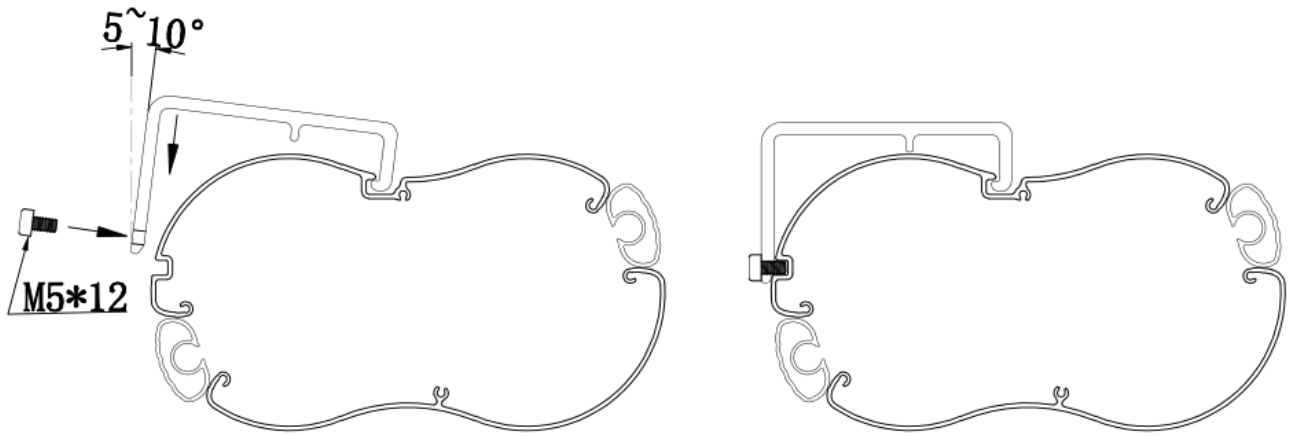


Fix the base on the floor, shown as the left drawing ; fix the brackets on the base ,shown as the right drawing:

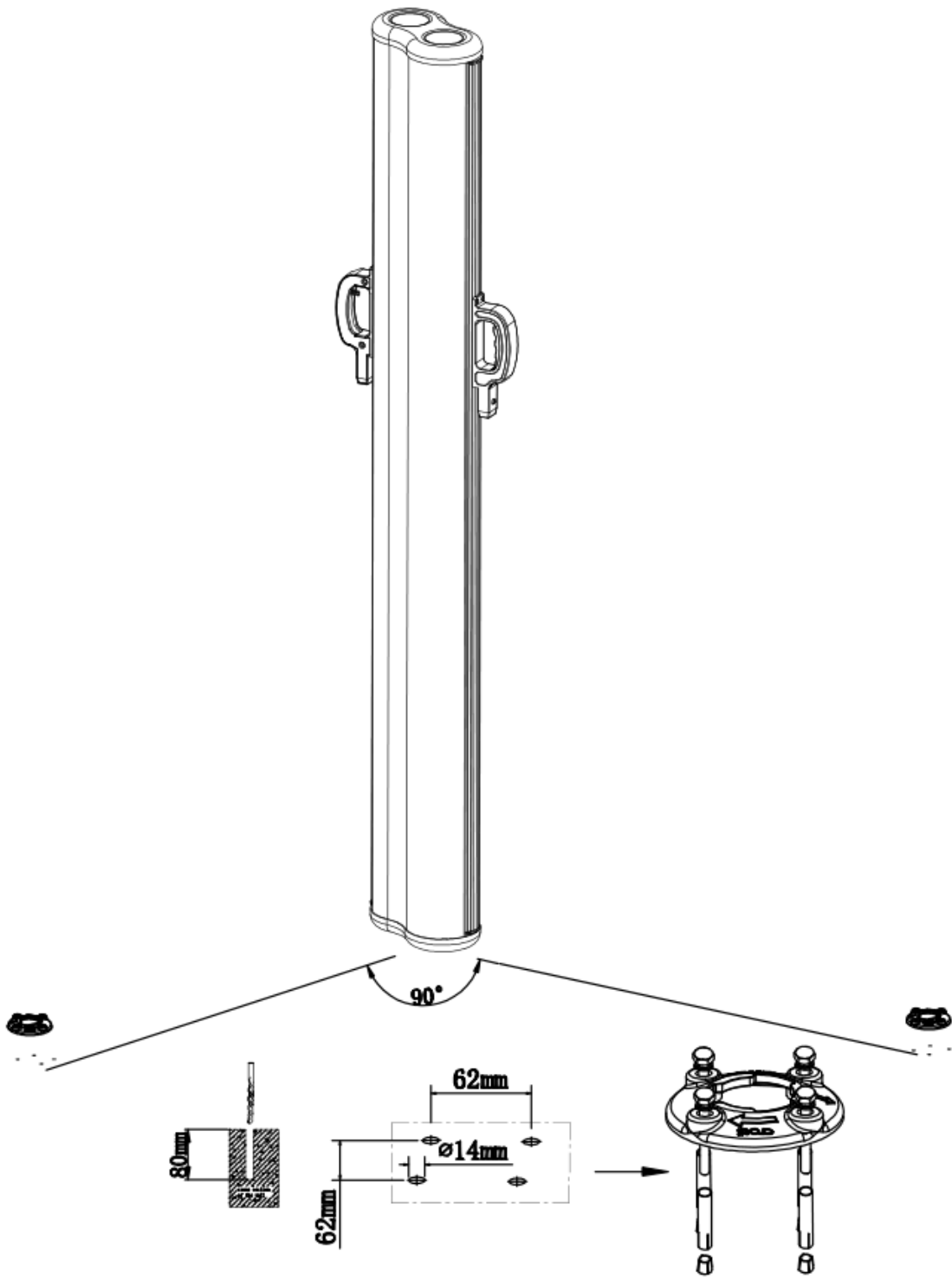


According to the below drawing to fix the screen on the brackets ,the way is the same as fix on the wall.



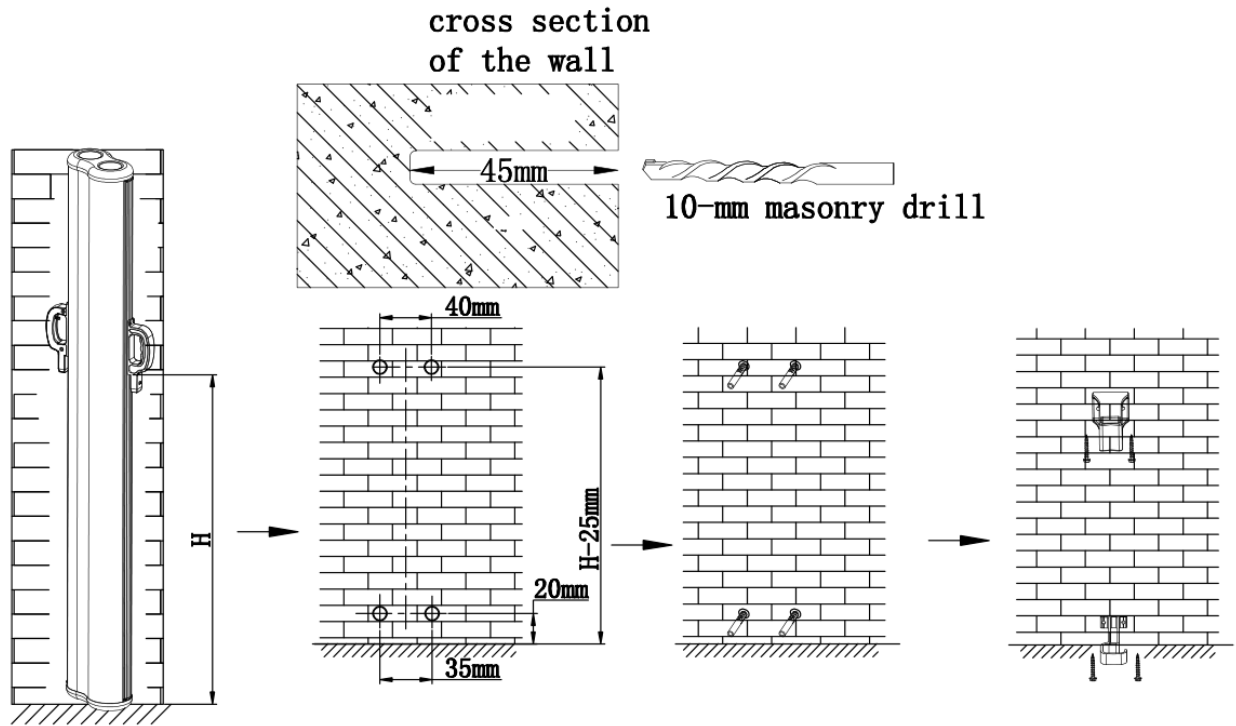


Fix on the base of front bar (according to the below drawing to drilling the holes which diameter is 14mm and the depth must be more than 80mm on the floor.)

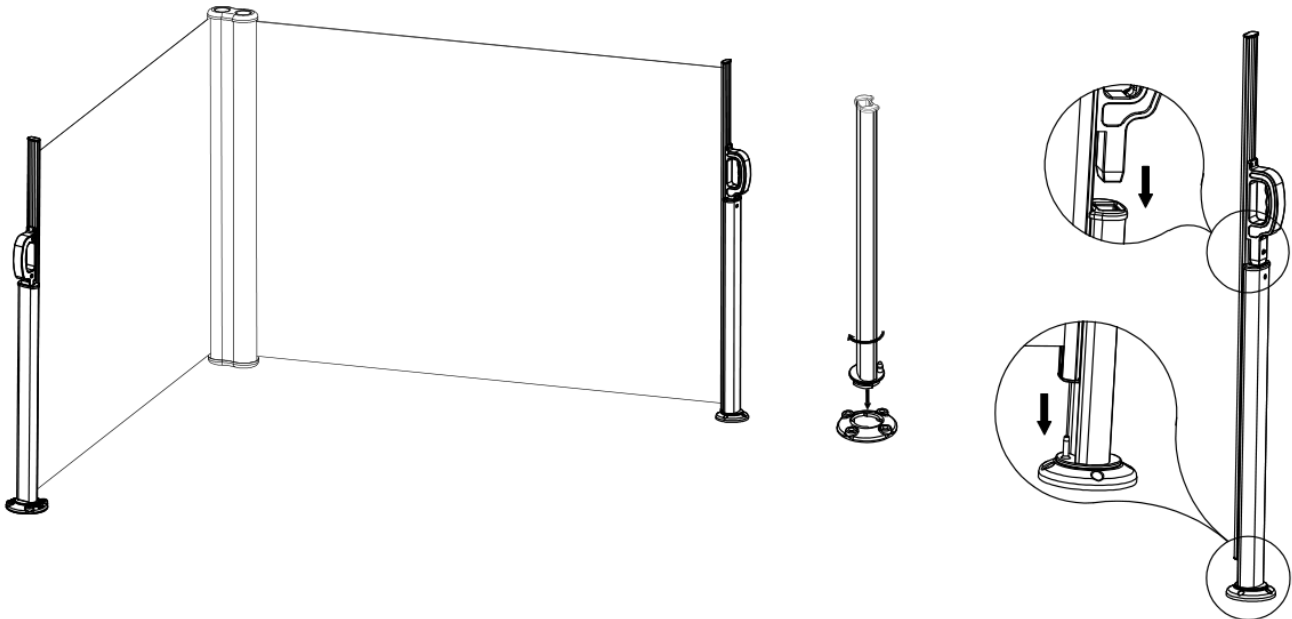


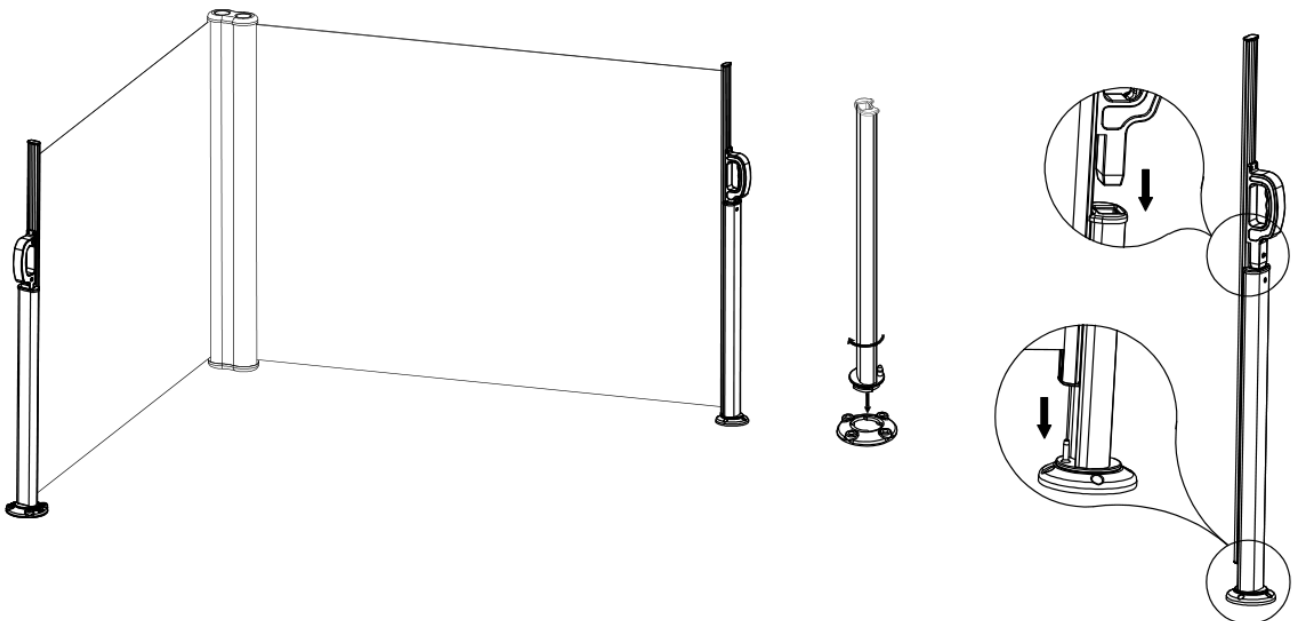
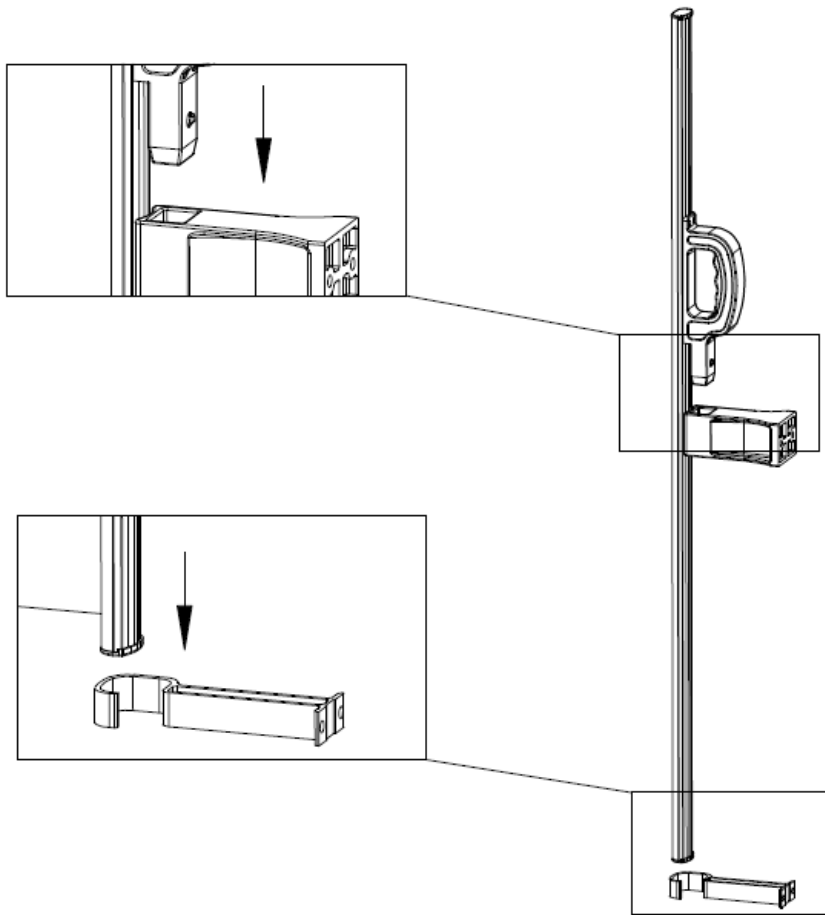
Fix on the button of front bar:

if your screen is a fixed location, in pull fabric the range of a wall , you can choose to install hook of the front bar on the wall, with hook of front bar instead of the use of the post. Hook of front bar installation steps are as follows:

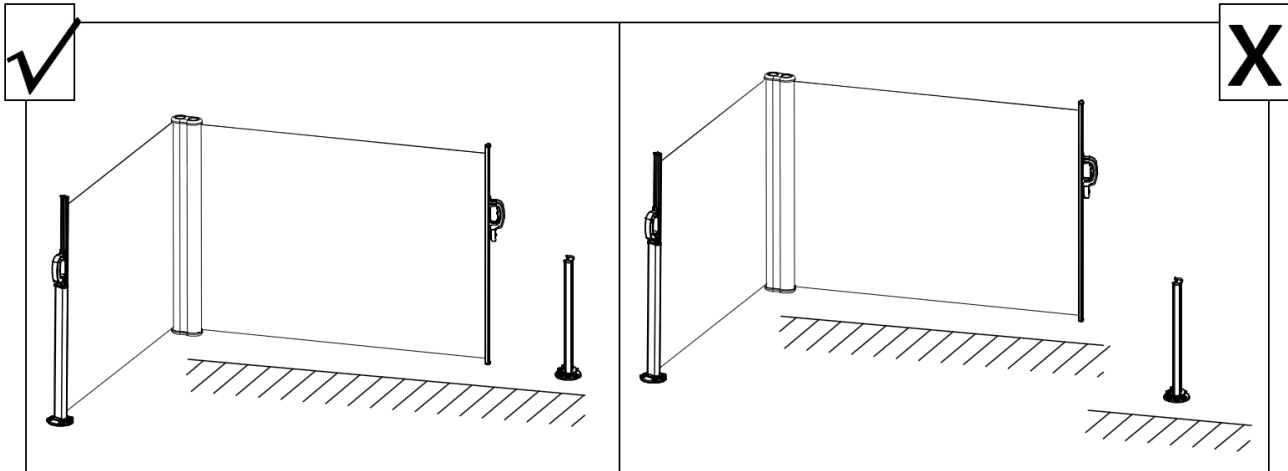


When use the screen ,please insert the pole of front bar into the base of front bar, then rotating fasten on the base, then put the hand grip, pull the fabric, handle buckle into the pole on the end face, buckle the bottom of front bar into small cylindrical part, when take back, Holding the play button of joystick Pull out front bar , and then let fabric slowly back to ensure that the fabric edge parallel to the ground.





During the period of using double folding screen awning, pull out and retract, to ensure that the cloth surface and the ground parallel, otherwise the fabric will be twisted or not returned.



Cleaning

Frame: Over time, dust and dirt will collect on the frame and will require periodic cleaning to maintain its appearance.

A mild spray cleaner or water/detergent mixture may be applied to the frame to clean it. Wipe dust off with a damp cloth. Do not use aggressive detergents e. g. to clean oil residues.

Fabric: Clean the fabric every six months.

Only use natural soap, never use chemical detergents. Water should be cold to lukewarm. Let the fabric dry completely. Do not use heating appliances e. g. hairdryer for drying.

Dismounting

When you don't want to use the awning anymore or if you want to dispose it one day you have to demount it.

Attention! At least two healthy adults are need for this step.

- ◆ Retract the awning completely before you begin with dismounting. Bind the arms of the awning together to avoid unintended unfolding. This might cause damage and injury. You can use the protection band that was fixed on the awning when purchasing it.
- ◆ Follow the mounting instructions in reversed order to dismount the awning.
- ◆ Make sure that drilling holes in the wall will be sealed professional.

Attention! Safety hints and instructions have to be followed for dismounting as well.

Storage

When you do not want to use the awning for a longer period of time it is recommended to take the awning out of the brackets and store it.

- ◆ Make sure that the fabric is dry completely before storing. Storing a wet fabric can cause spots and damage.
- ◆ Store the awning at a dry and safe place that is not reachable for children.

Disposal

Do not dispose this awning with other household wastes. To prevent possible harm to the environment or human health from uncontrolled waste disposal, recycle it responsibly to promote the sustainable reuse of material resources. To return your used device, please use the return and collection systems or contact the retailer where the product was purchased. They can take this product for environmental safe recycling. Dispose packing materials according to local guidelines.

Konsumentkontakt

Arc E-commerce AB
Box 3124
13603 Haninge
Sverige